

Blue Eagle digital camera line DC3K

HDR-CMOS megapixel imager sensor device – robust and adjustable

Overview

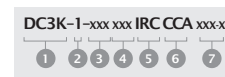
The Blue Eagle digital megapixel camera line DC3K is a family of HDR-CMOS image sensor camera devices with digital data interfaces. The cameras have a cubic housing layout with a pig tail including a HSD connector. Key features of the Blue Eagle digital camera line DC3K are its very high thermal and mechanical stability. The cameras are resistant against harsh environmental conditions like mechanical shocks, vibrations and hazardous atmospheres. Due to their IP68/IP6k9k housing the cameras are also suitable for outdoor applications (splash water).

Features

- Choice of different power supplies (from 9 V_{DC} up to 14 V_{DC}) including
 - Power over Ethernet (PoE)
 - Power over APIX (PoA)
 - Power over Coax (PoC)
 - Low power consumption
 - IP68/IP6k9k protection class
 - Rol capabilities for custom specific brightness adaptation (additional software required)
 - Wide range of fixed focus optics available
HFOV_{Min} = 5°
HFOV_{Max} = 190°
 - Water tight optic with anti-scratch and anti-fog coating
- Extended operating temperature
T_{Min} = -40 °C
T_{Max} = +95 °C
 - Choice of a wide range of data interfaces
 - 2-wire-Ethernet (BroadR-Reach)
 - APIX2
 - LVDS
 - MARVELL, MICREL (Quiet-wire)
 - MOST150



Product ID



- 1 **Product code**
Blue Eagle digital camera
- 2 **Version**
1: Standard
- 3 **Interface**
2WE: 2-wire-Ethernet
API: APIX2-PoA
LVD: LVDS-TI
MAP: MARVELL-PoE
MIP: MICREL-PoE
MOS: MOST150-PoC
- 4 **HFOV (horizontal field of view)**
190: 190 °
100: 100 °
055: 55 °
- 5 **Coating**
IRC: IR coating
(T > 96 % for α=400...680 nm)
- 6 **Harness**
CCA: cubic housing with 30 cm cable
- 7 **Connector**
COA-A: COAX FAKRA – 2 pins AR0132AT
COA-O: COAX FAKRA – 2 pins OV10635
HSD-A: HSD FAKRA – 4 pins AR0132AT
HSD-O: HSD FAKRA – 4 pins OV10635
HSA-O: HSD FAKRA – 4 pins AVB OV10635
HSU-O: HSD FAKRA – 4 pins UDP OV10635
HSA-A: HSD FAKRA – 4 pins AVB AR0132AT
HSU-A: HSD FAKRA – 4 pins UDP AR0132AT

Physical dimensions

DC3K-1-MOS...



DC3K-1-2WE...,
DC3K-1-API...,
DC3K-1-MAP...,
DC3K-1-MIP...



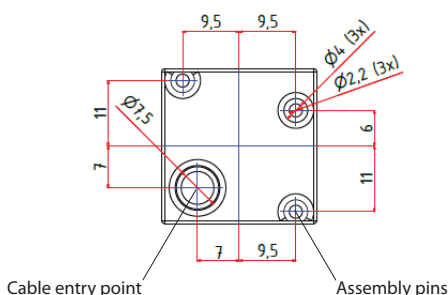
DC3K-1-LVD...



dimensions in mm

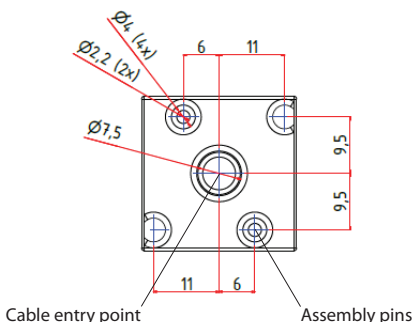
Bottom view - decentralized cable entry

DC3K-1-MOS...,
DC3K-1-API...



Bottom view - centralized cable entry

DC3K-1-MAP..., DC3K-1-2WE...,
DC3K-1-LVD..., DC3K-1-MIP...



dimensions in mm

Certificate

ISO/TS 16949

Contact

Silicon Micro Sensor GmbH
Königsbrücker Straße 96
D-01099 Dresden
Germany
T +49 351 317762-10
F +49 351 317762-12
sales-opto@smicrosensors.com
www.smicrosensors.de