

### FEATURES

- Loop powered
- Plug-in directly to transmitter
- Four digits display
- Display and connector rotatable
- Switching output
- Scale easily adjustable to transmitter range

The DDI7000 display can be used with all 4...20 mA output devices of the following First Sensor transmitter series:

KTE/KTU3000, KTE/KTU6000, BTE/PTU6000



### HOUSING

PA 6.6, Polycarbonat, protection class IP65

### SPECIFICATION

Supply voltage (reverse polarity protected)

$$V_S = V_{TR} + 6 \text{ V}$$

( $V_{TR}$  = supply of the used 2 wire transmitter)

Temperature range

Operating	-25...+85 °C
Storage	-40...+85 °C

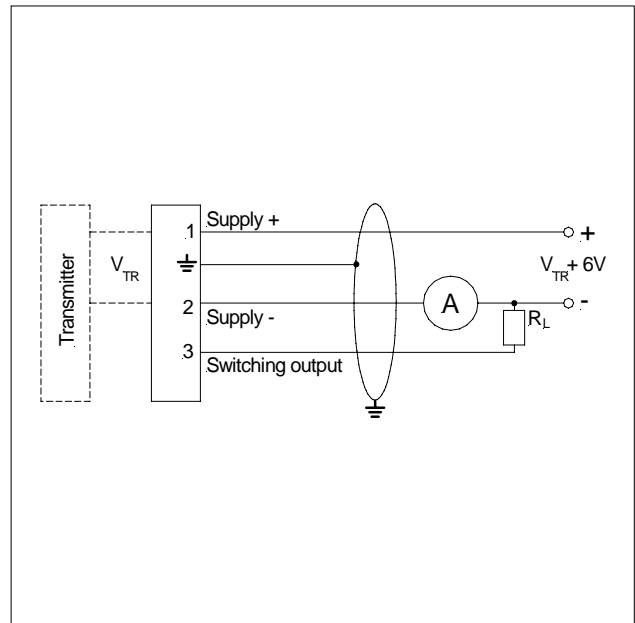
Vibration (20...2000 Hz)

5 g RMS

Mechanical shock

100 g / 11 ms

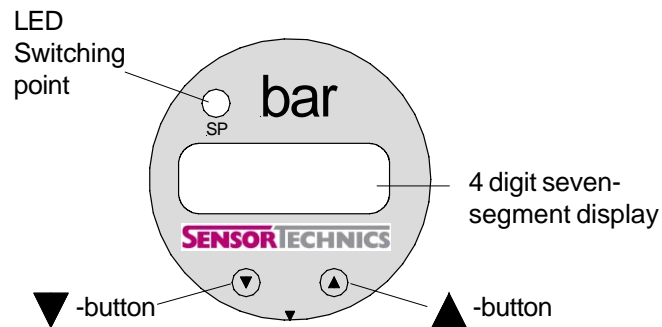
### ELECTRICAL CONNECTION



## TECHNICAL SPECIFICATION

Input signal	4...20 mA (2-wire)
Display	7-segment LED-display, digit height 7 mm
Display range	starting and end value freely selectable
Maximum display value	9999 digits
Minimum display value	-1999 digits
Decimal point	any position
Measuring accuracy	0.1 % ±1 digit
Measuring interval	adjustable 0.0 ... 10 s
Damping	adjustable 0.3 ... 30 s
Electromagnetic compatibility	EN61326
Switching output	PNP open collector output
Switching performance	$V_{\text{switch}} = V_s - 2 \text{ V}$ ; rating max. 125 mA, short-circuit resistant
Repeatability	$\leq \pm 0.1 \%$ FSO
Switching frequency	max. 10 Hz
Switching cycles	$> 100 \times 10^6$
Delay time	0 ... 100 sec

## OPERATION

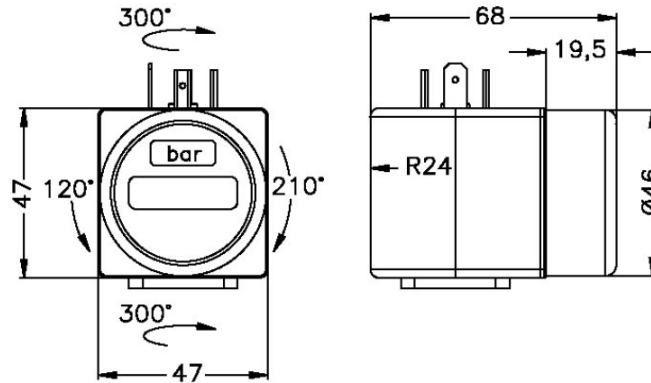


The device has a LED for the switching output. The LED will light up when the set point has been reached and the contact is active. The display of the measured value as well as the configuration of the individual parameters occurs menu-driven via the seven-segment display

## CONFIGURATION

The menu system is a closed system which allows to scroll both forward and backward through the individual set-up menus to navigate to the desired setting item. All settings are permanently stored in an EEPROM and therefore available again even after disconnecting from the supply voltage.

### PHYSICAL DIMENSIONS



weight: 112 g

all dimensions in mm

### POSITIONING OF THE DISPLAY MODULE

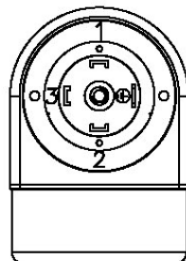
The display module is rotatable so that clear readability is guaranteed even on unusual installation positions. The display module can be turned as shown above.

### ELECTRICAL CONNECTION

The DDI7000 can be connected to First Sensor's pressure transmitters via a ISO 4400 (DIN 43650, Form A) plug.

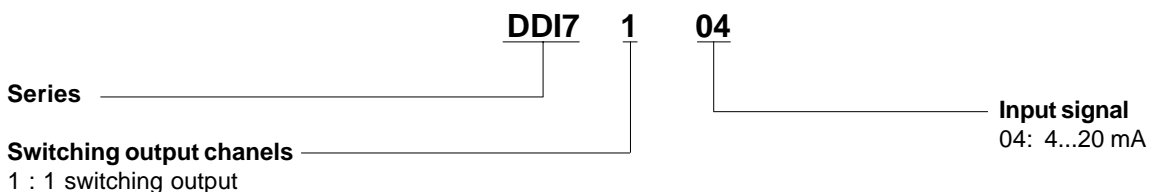
The DDI7000 takes power directly from measuring current.

**Please allow for an additional loop voltage drop of 6 Volts.**



Function	Pin
Vs+	1
Vs-	2
Switching output	3
Shield	4

### ORDERING INFORMATION



Other versions on special request

First Sensor reserves the right to make changes to any products herein. First Sensor does not assume any liability arising out of the application or use of any product or circuit described herein, neither does it convey any license under its patent rights nor the rights of others.