

### FEATURES

- Silent operation
- Long life
- High accuracy
- Small size
- Low power consumption
- Internal closed loop control
- Includes thermally compensated proportional VSO® valve

### MEDIA COMPATIBILITY

Non-corrosive gases



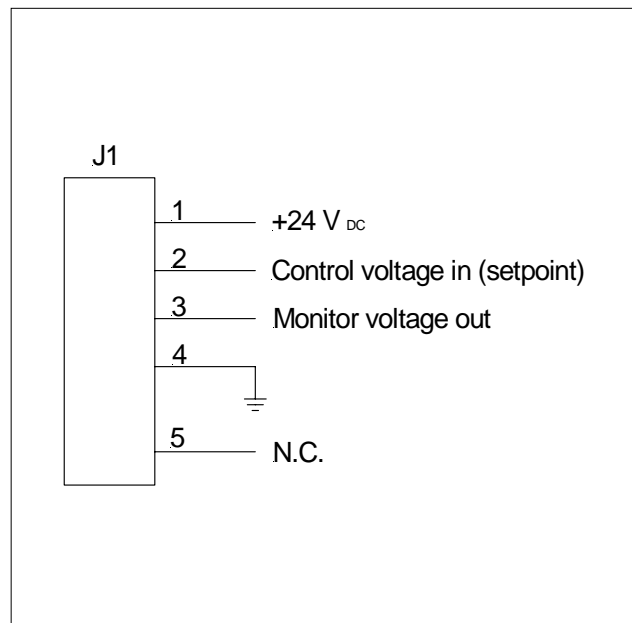
### ELECTRICAL

Power	24 V <sub>DC</sub> ± 10%
Input control signal	0...5 V <sub>DC</sub>
Monitor output voltage	0...5 V <sub>DC</sub>
Current requirement	<150 mA
Electrical connector	6 pin miniature interface cable included

### PHYSICAL PROPERTIES

Operating environment	0 to 55 °C
Storage temperature	-40 to 55 °C
Porting	10-32 UNF female ports

### ELECTRICAL CONNECTION



VSO is a registered trademark of Parker Hannifin Corporation.

### PRESSURE RANGES CHARACTERISTICS

Part no.	Pressure range*	Maximum supply pressure
OEM...0-2	0...2 psig	150% of pressure transducer rating
OEM..0-15	0...15 psig	
OEM...0-50	0...50 psig	
OEM...0-100	0...100 psig	

\* Custom ranges available (including 0...5, 0...7, 0...30, 0...70 psig)

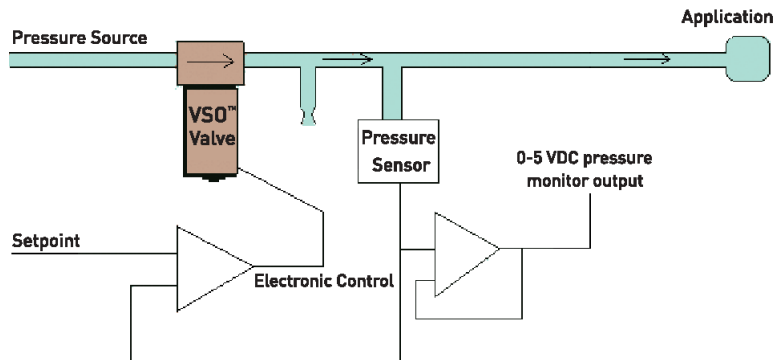
### PERFORMANCE CHARACTERISTICS

Characteristics	Min.	Typ.	Max.	Unit
Pressure accuracy		±0.2	±1.5	%FS
Non-linearity			±1.0	
Response time*			15	ms

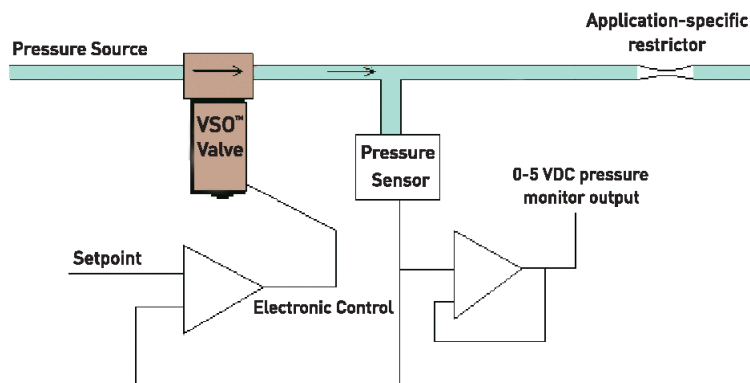
\* Response time to target pressure is output volume dependent

### CONFIGURATIONS

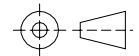
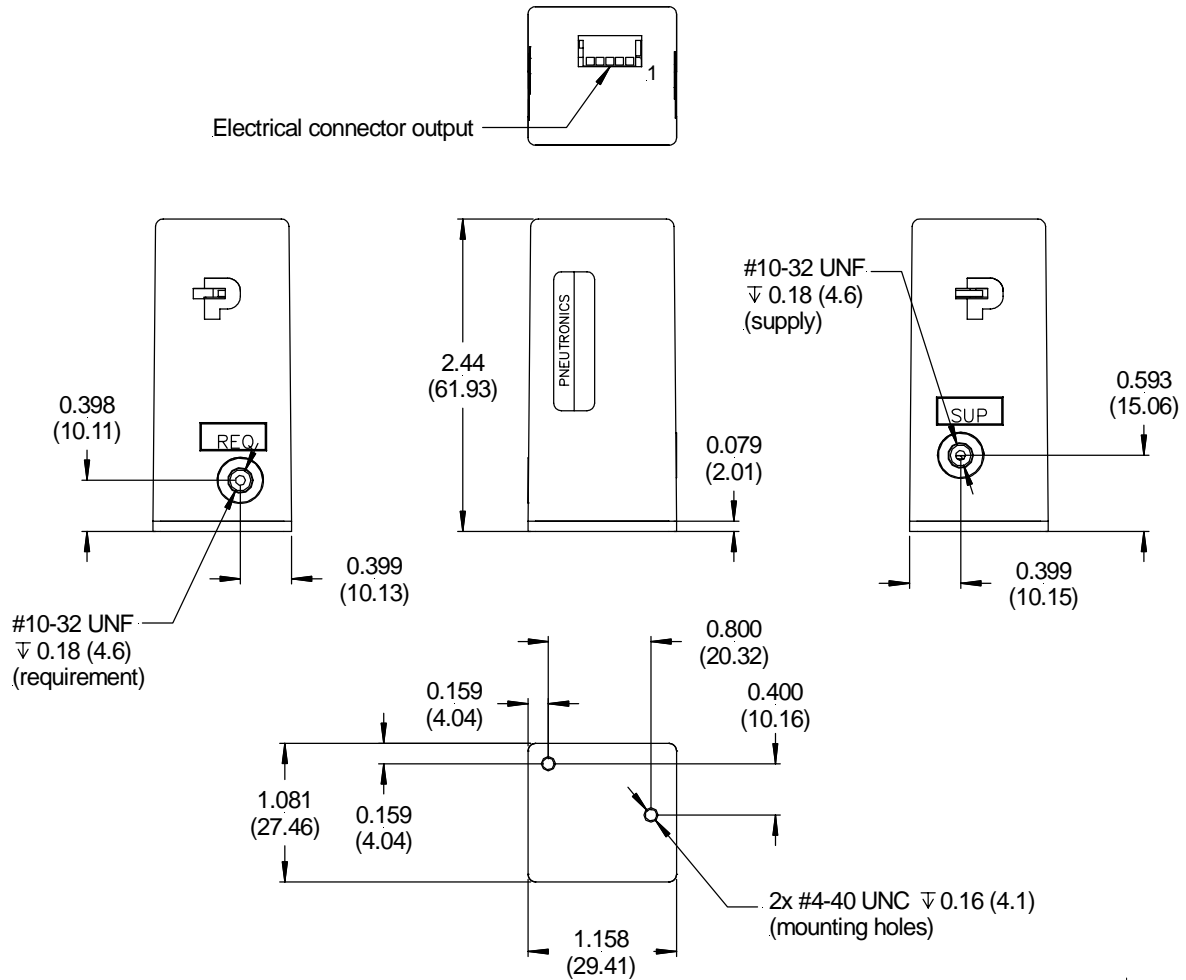
#### Pressure control: Standard configuration



#### Pressure control: Alternate configuration



### PHYSICAL DIMENSIONS



third angle projection

dimensions in inches (mm)

mass: approx. 50 g

# OEM-EP

## Miniature electronic pressure controllers

---

### ORDERING INFORMATION

Options	Series	Configuration	Valve orifice		Electrical input		Pneumatic range*				
	OEM		1:	3:	0-5:	0...5 V <sub>DC</sub>	0-2:	0-15:	0-50:	0-100:	
		EPS:	Standard pressure control		1:	0.01 "	0-5:	0...5 V <sub>DC</sub>		0-2:	0...2 psi
		GCA:	Alternate pressure control		3:	0.03 "				0-15:	0...15 psi
										0-50:	0...50 psi
										0-100:	0...100 psi

\* for custom pressure ranges contact First Sensor

**Available listings:**

- OEMEPS10-50-2
- OEMEPS10-50-15
- OEMEPS10-50-100
- OEMEPS30-50-2
- OEMEPS30-50-15
- OEMEPS30-50-50
- OEMEPS30-50-100
- OEMGCA30-50-15
- OEMGCA30-50-50
- OEMGCA30-50-100

**Custom pressure ranges and configurations are available. Please contact First Sensor.**

First Sensor reserves the right to make changes to any products herein. First Sensor does not assume any liability arising out of the application or use of any product or circuit described herein, neither does it convey any license under its patent rights nor the rights of others.