

VSO-EP™ / VSO-EV™

Electronic pressure controllers

FEATURES

- Offers silent operation
- Ensures high accuracy and resolution
- Tested for long life
- Offers internal closed loop control
- OEM application-specific configurations available
- Includes thermally compensated proportional VSO® valve

MEDIA COMPATIBILITY

Non-corrosive gases



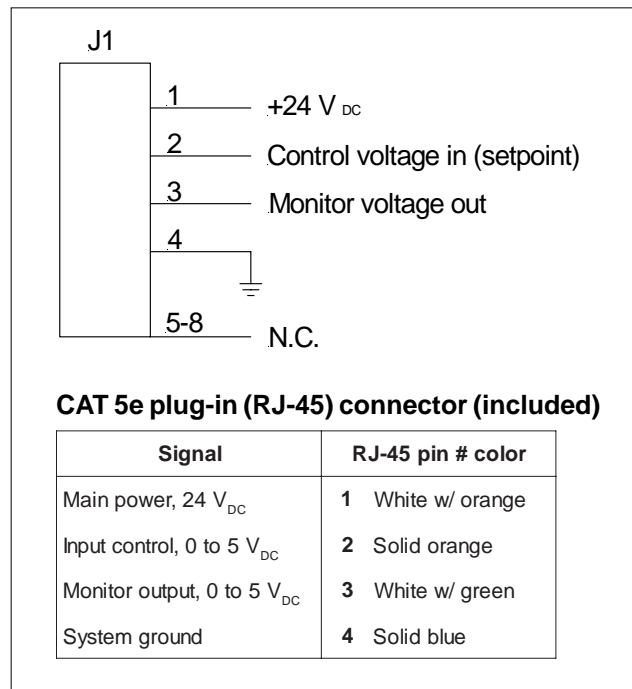
ELECTRICAL

Power	24 V _{DC} ± 10%
Input control signal	0...5 V _{DC}
Monitor output voltage	0...5 V _{DC}
Current requirement	<150 mA
Electrical connector	RJ-45, accepts Cat 5e cables up to 100 feet

PHYSICAL PROPERTIES

Operating environment	0 to 55 °C
Storage temperature	-40 to 55 °C
Porting	10-32 UNF female ports

ELECTRICAL CONNECTION



VSO is a registered trademark and VSO EP is a trademark of Parker Hannifin Corporation.

VSO-EP™ / VSO-EV™

Electronic pressure controllers

PRESSURE RANGES CHARACTERISTICS

Part no.	Pressure range*	Maximum supply pressure
VSOEP...0-15	0...15 psig	150% of pressure transducer rating
VSOEP...0-30	0...30 psig	
VSOEP...0-50	0...50 psig	
VSOEP...0-100	0...100 psig	
VSOEV...0-150	0...-150 mbar (Vacuum)	
VSOEV...0-345	0...-345 mbar (Vacuum)	

* Custom ranges available (including 0...2, 0...5, 0...7, 0...70 psig and vacuum ranges)

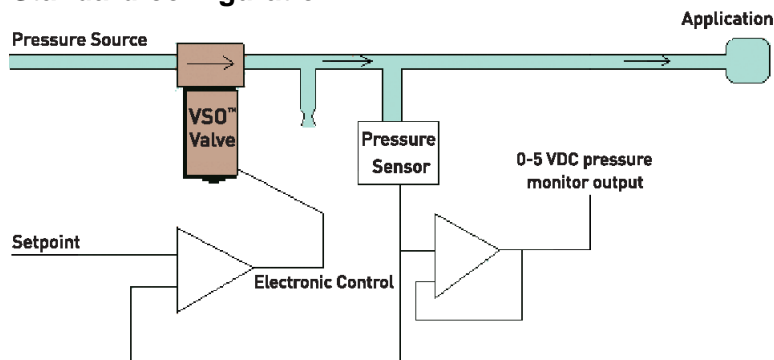
PERFORMANCE CHARACTERISTICS

Characteristics	Min.	Typ.	Max.	Unit
Pressure accuracy		±0.2	±1.5	%FS
Non-linearity			±1.0	
Response time*			15	ms

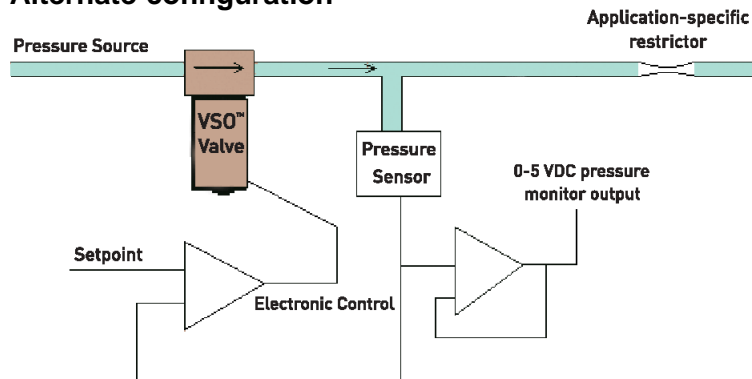
* Response time to target pressure is output volume dependent

CONFIGURATIONS

Pressure control: Standard configuration



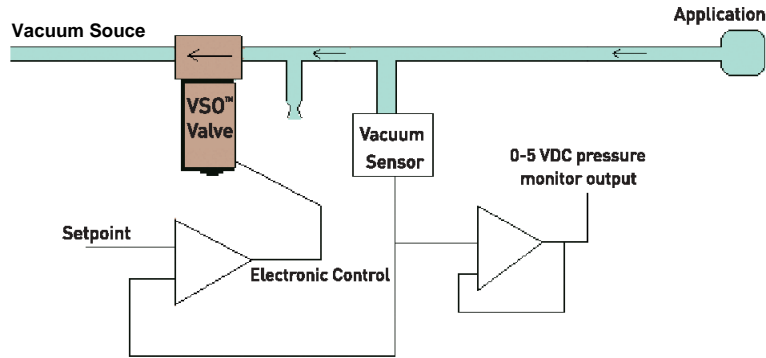
Pressure control: Alternate configuration



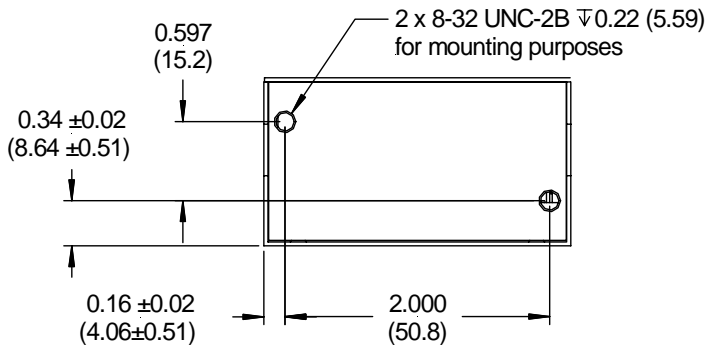
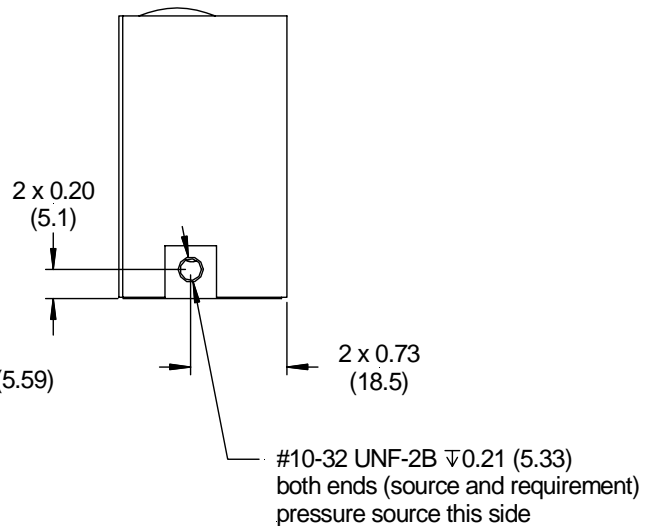
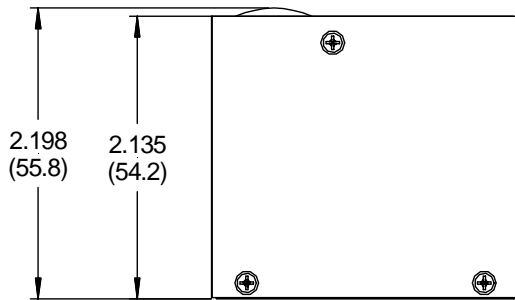
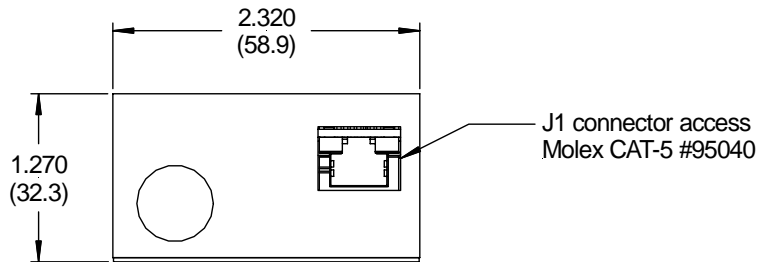
VSO-EP™ / VSO-EV™ Electronic pressure controllers

CONFIGURATIONS (cont.)

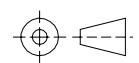
Vacuum control: Standard configuration



PHYSICAL DIMENSIONS



#10-32 UNF-2B ∇ 0.21 (5.33)
both ends (source and requirement)
pressure source this side



third angle projection

mass: approx. 150 g

dimensions in inches (mm)

VSO-EP™ / VSO-EV™

Electronic pressure controllers

ORDERING INFORMATION

VSO-EP (pressure controllers)

Options	Series	Configuration	Valve orifice		Electrical input		Pneumatic range*		
	VSOEP		1:	3:	0-5:	0-15:	0-30:	0-50:	0-100:
		S: Standard pressure control	0.01 "		0...5 V _{DC}	0...15 psi			
		A: Alternate pressure control	0.03 "			0...30 psi			
						0...50 psi			
						0...100 psi			

* for custom pressure ranges contact First Sensor

Available listings:

VSOEPS10-50-15
VSOEPS10-50-50
VSOEPS10-50-100
VSOEPS30-50-15
VSOEPS30-50-50
VSOEPS30-50-100
VSOEPA10-50-15
VSOEPA10-50-50
VSOEPA10-50-100
VSOEPA30-50-30

VSO-EV (vacuum controllers)

Options	Series	Configuration	Valve orifice		Electrical input		Pneumatic range*	
	VSOEV		1:	3:	0-5:	0-150:	0-345:	
		E: Standard vacuum control	0.01 "		0...5 V _{DC}	0...-150 mbar		
			0.03 "			0...-345 mbar		

* for custom pressure ranges contact First Sensor

Available listings:

VSOEVE10-50-150
VSOEVE30-50-345

Custom pressure ranges and configurations are available. Please contact First Sensor.

First Sensor reserves the right to make changes to any products herein. First Sensor does not assume any liability arising out of the application or use of any product or circuit described herein, neither does it convey any license under its patent rights nor the rights of others.