
**Features**

- Low ripple 10mVpp
- On-board reference source
- Easy adjustment
- Shielded, HF safe package
- 200 V maximum voltage

**Description**

Precision regulated power module for PIN diodes with low ripple in compact package. Output voltage to be set by external resistor.

**Application**

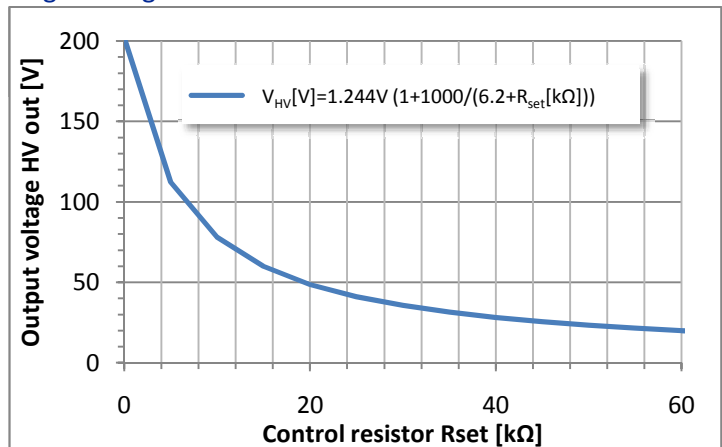
- High voltage for PIN-PD
- High voltage for APD

**RoHS**

2002/95/EC


**Absolute maximum ratings**

Symbol	Parameter	Min	Max	Unit
$T_{STG}$	Storage temp	-10	125	°C
$T_{OP}$	Operating temp	-10	70	°C
V <sub>CC</sub>	Supply Voltage	4.75	5.5	V

**High Voltage Control**

**Electrical characteristics @ 23°C**

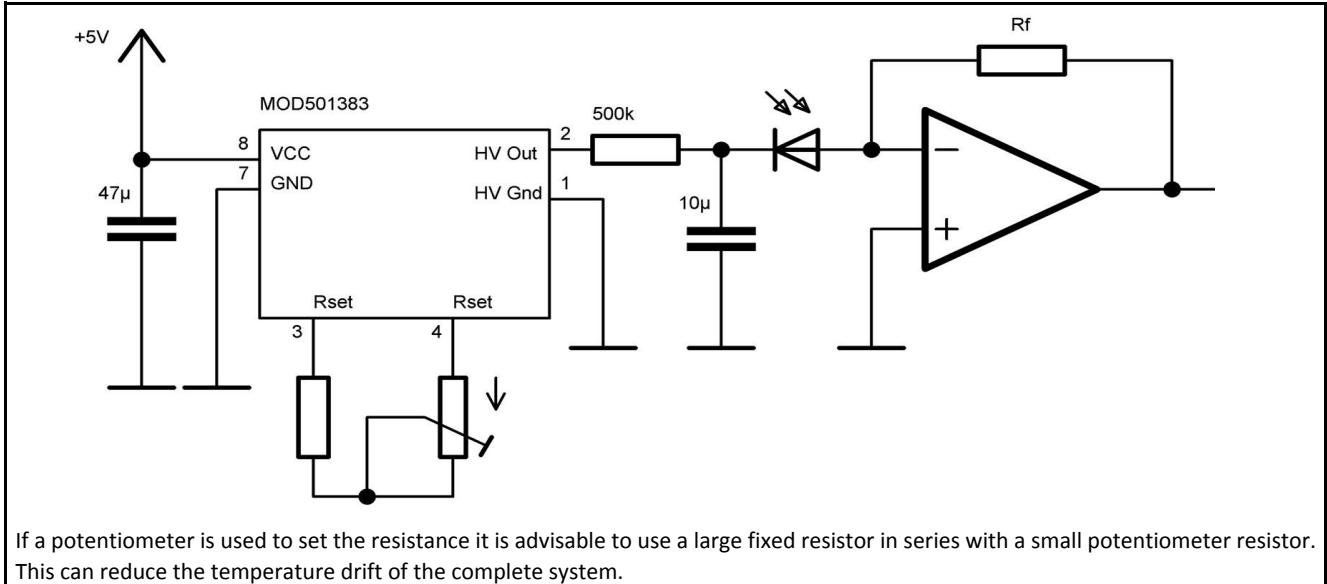
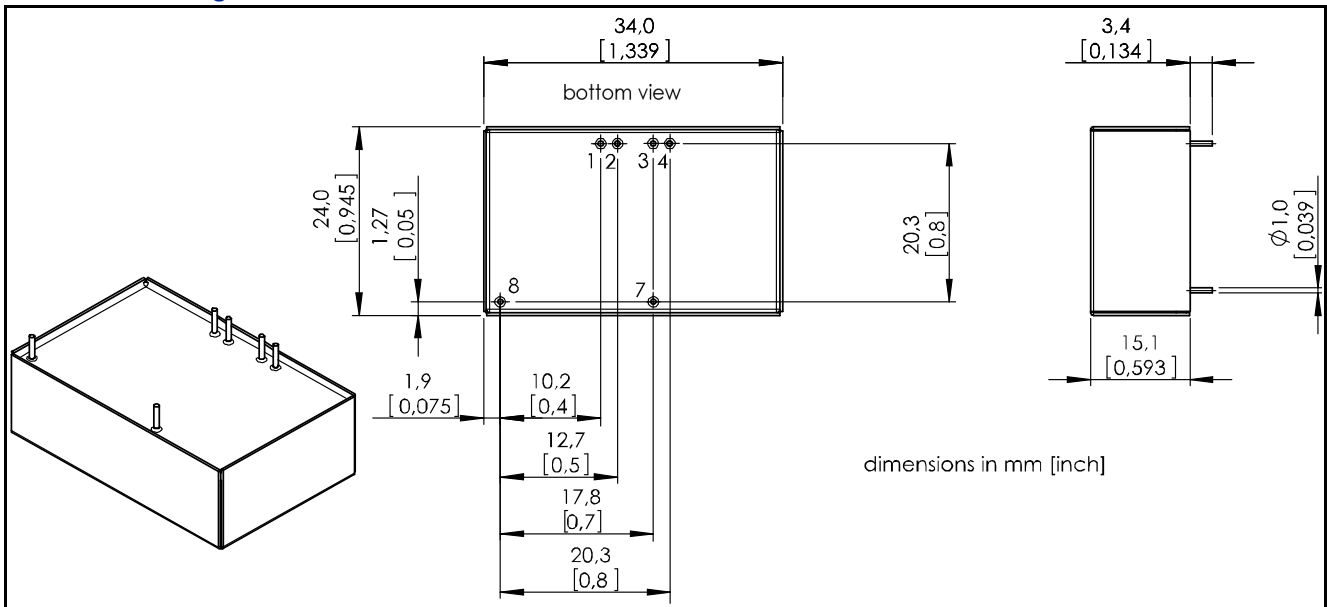
Symbol	Characteristic	Test Condition	Min	Typ	Max	Unit
V <sub>CC</sub>	Input voltage		+4.75	+5.0	+5.5	V
	Input current w/o load	V <sub>CC</sub> = 5 V, R <sub>set</sub> = 0, without R <sub>load</sub>		29		mA
	Input capacitance			30		μF
R <sub>set</sub>	Control Resistor	HV <sub>out</sub> = 20 V ... 200 V	0		60	kΩ
V <sub>REF</sub>	Internal reference voltage			1.244		V
	Set point accuracy		1			%
T <sub>K</sub>	Temperature coefficient			50		ppm/K
	Ripple	peak to peak		10	15	mVpp
	Short circuit protected			5		s
HV <sub>out</sub>	Output voltage	V <sub>CC</sub> = 5 V, R <sub>set</sub> = 0 (for max HV <sub>out</sub> ), R <sub>set</sub> = 60 kΩ (for min HV <sub>out</sub> )	20		201	V
	Output current				0.5	mA

**European, International Sales:**


First Sensor AG  
 Peter-Behrens-Strasse 15  
 12459 Berlin  
 Germany  
 T +49 30 6399 2399  
 F +49 30 639923-752  
 sales.opto@first-sensor.com

**USA:**


First Sensor Inc.  
 5700 Corsa Avenue #105  
 Westlake Village  
 CA 91362 USA  
 T +1 818 706 3400  
 F +1 818 889 7053  
 sales.us@first-sensor.com

**Application hints**

**Technical drawing**

**Mechanical characteristics**

Parameter	Parameter	Unit
Length	34	mm
Width	24	mm
Height	15	mm
Volume	12.2	cm <sup>3</sup>
Weight	11	g
Case material	Tinplate	

**Pin connections**

Part	Symbol	Function
1	HV <sub>GND</sub>	High voltage ground
2	HV <sub>out</sub>	High voltage output
3	Rset	Resistor
4	Rset	Resistor
7	GND	Ground
8	Vcc	Input Voltage

Disclaimer: Due to our strive for continuous improvement, specifications are subject to change within our PCN policy according to JESD46C.

**European, International Sales:**


First Sensor AG  
 Peter-Behrens-Strasse 15  
 12459 Berlin  
 Germany  
 T +49 30 6399 2399  
 F +49 30 639923-752  
 sales.opto@first-sensor.com

**USA:**


First Sensor Inc.  
 5700 Corsa Avenue #105  
 Westlake Village  
 CA 91362 USA  
 T +1 818 706 3400  
 F +1 818 889 7053  
 sales.us@first-sensor.com