

# LD63H5S-A/B/C

## InGaAlP Laser Diode

Quantum Semiconductor International Co., Ltd.

Ver. 7 2010

### ◆ OVERVIEW

LD63H5S-A/B/C is a MOCVD grown 635nm band *InGaAlP* laser diode with quantum well structure. It's an attractive light source, with a typical light output power of 20mW for optoelectronic devices such as Optical Leveler and Modules.

### ◆ APPLICATION

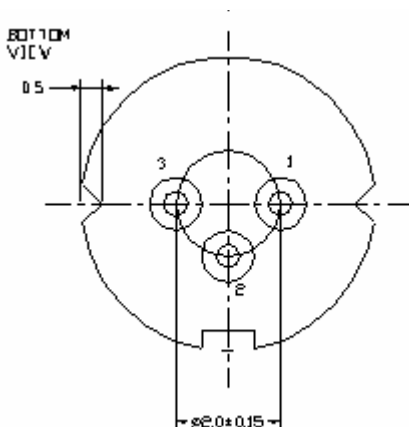
- Bar Code Scanner
- Laser Module

### ◆ FEATURES

- Visible Light Output :  $\lambda_p = 635 \text{ nm}$
- Optical Power Output : 20mW CW
- Package Type : TO-18 (5.6mm $\phi$ )
- Built-in Photo Diode for Monitoring Laser Diode

### ◆ ELECTRICAL CONNECTION

#### Bottom View



#### Pin Configuration

A	LD cathode, PD anode (Fig. 1)
B	LD , PD anode (Fig. 2)
C	LD anode, PD cathode (Fig. 3)

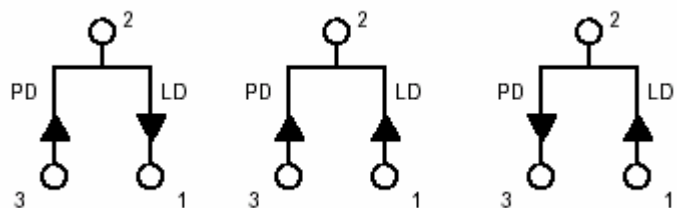


Fig. 1  
LD63H5SA

Fig. 2  
LD63H5SB

Fig. 3  
LD63H5SC

◆ ABSOLUTE MAXIMUM RATING at Tc=25°C

Items	Symbols	Values	Unit
Optical Output Power	P	24	mW
Laser Diode Reverse Voltage	V	2	V
Photo Diode Reverse Voltage	V	30	V
Operating Temperature	Topr	-10 ~ +50	°C
Storage Temperature	Tstg	-40 ~ +85	°C

◆ ELECTRICAL and OPTICAL CHARACTERISTICS at Tc=25°C <sup>1)2)</sup>

Items	Symbols	Min.	Typ.	Max.	Unit	Condition
Optical Output Power	Po	-	20	-	mW	-
Threshold Current	Ith	-	30	50	mA	Po=20mW
Operating Current	Iop	-	60	80	mA	Po=20mW
Operating Voltage	Vop	-	2.3	2.6	V	Po=20mW
Lasing Wavelength	$\lambda_p$	630	639	645	nm	Po=20mW
Beam Divergence <sup>3)</sup>	$\theta_{  }$	6	8	14	deg	Po=20mW
	$\theta_{\perp}$	25	30	35	deg	Po=20mW
Beam Angle	$\Delta\theta_{  }$	-	-	±2.0	deg	Po=20mW
	$\Delta\theta_{\perp}$	-	-	±3.0	deg	Po=20mW
Monitor Current	Im	0.05	0.25	0.7	mA	Po=20mW
Optical Distance	$\Delta X, \Delta Y, \Delta Z$	-	-	±60	μm	-

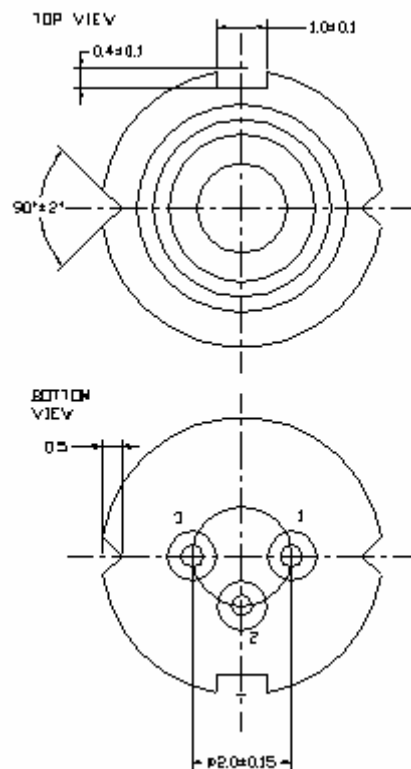
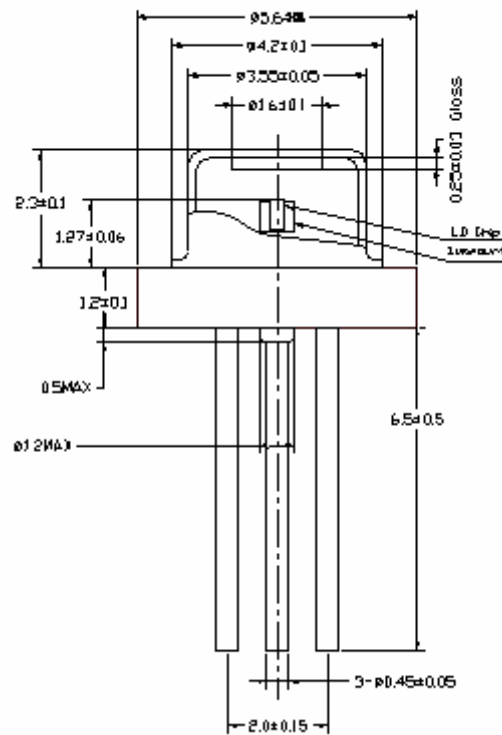
1) Initial values      2) All above values are evaluated with QSI's measuring apparatus

3) Full angle at half maximum

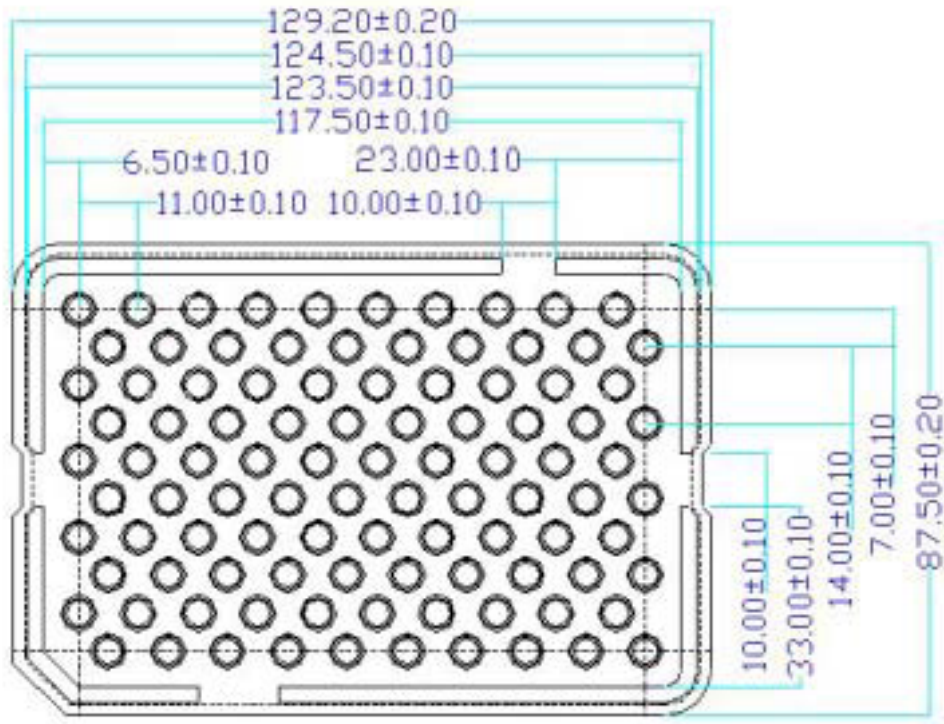
**NOTICE : LD63H5S-A/B/C to be operated on APC**

**The above product specifications are subject to change without notice.**

## ◆ PACKAGE DIMENSION



◆ PACKING



**International Sales**

**First Sensor AG**  
 Peter-Behrens-Str. 15  
 12459 Berlin  
 Germany  
 T +49 30 6399 2399  
 F +49 30 6399 23-752  
 sales.opto@first-sensor.com  
 www.first-sensor.com

**US Sales**

**First Sensor Inc.**  
 5700 Corsa Avenue #105  
 Westlake Village, CA 91362  
 USA  
 T +1 818 7063 400  
 F +1 818 8897 053  
 sales.us@first-sensor.com  
 www.first-sensor.com

