

LD68J6S-A/B/C

InGaAlP Laser Diode

Quantum Semiconductor International Co., Ltd

Ver. 3 March 2013

◆ OVERVIEW

LD68J6S-A/B/C is a MOCVD grown $0.68\mu\text{m}$ band *InGaAlP* laser diode with quantum well structure. It's an attractive light source, with a typical light output power of 50mW for opto-electronic devices such as Industrials.

◆ APPLICATION

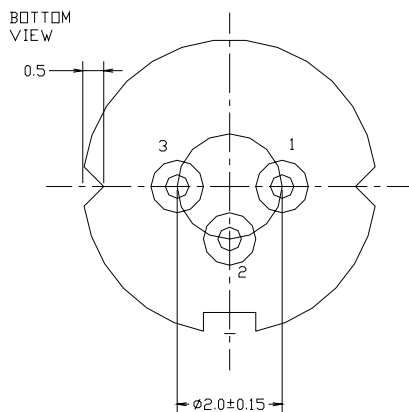
- Industrials
- Laser Module

◆ FEATURES

- Visible Light Output : $\lambda_p = 685\text{nm}$
- Optical Power Output : 50 mW CW
- Package Type : TO-18 ($5.6\text{mm}\phi$)
- Built-in Photo Diode for Monitoring Laser Output

◆ ELECTRICAL CONNECTION

Bottom View



Pin Configuration

A	LD cathod, PD anode (Fig. 1)
B	LD , PD anode (Fig. 2)
C	LD anode, PD cathod (Fig. 3)

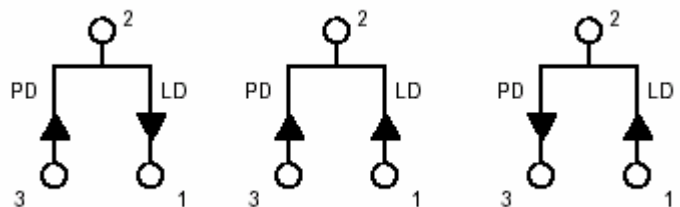


Fig. 1

LD68J6SA

Fig. 2

LD68J6SB

Fig. 3

LD68J6SC

◆ **ABSOLUTE MAXIMUM RATING at Tc=25°C**

Items	Symbols	Values	Unit
Optical Output Power	P	55	mW
Laser Diode Reverse Voltage	V	2	V
Photo Diode Reverse Voltage	V	30	V
Operating Temperature	Topr	-10 ~ +60	°C
Storage Temperature	Tstg	-40 ~ +85	°C

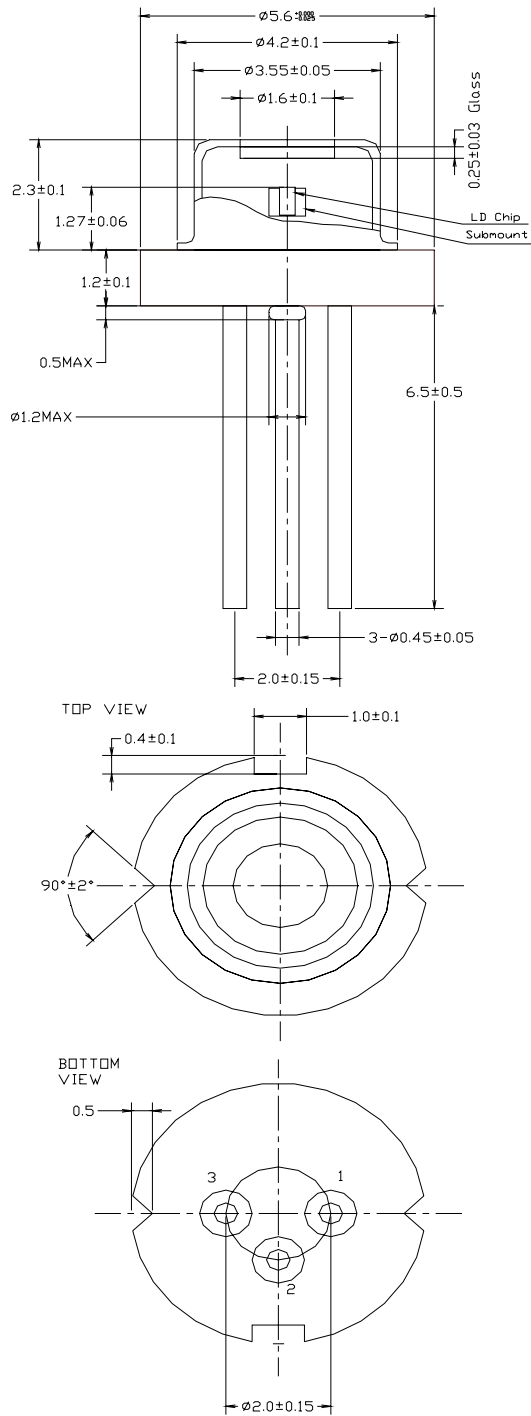
◆ **ELECTRICAL and OPTICAL CHARACTERISTICS at Tc=25°C**

Items	Symbols	Min.	Typ.	Max.	Unit	Condition
Optical Output Power	Po	-	50	-	mW	-
Threshold Current	Ith	-	35	60	mA	-
Operating Current	Iop	-	100	140	mA	Po=50mW
Operating Voltage	Vop	2	2.7	3	V	Po=50mW
Slope Efficiency	SE	0.6	0.85	1.3	mW/mA	25~50mW
Lasing Wavelength	λ_p	670	685	700	nm	Po=50mW
Beam Divergence	$\theta_{ }$	8	10.5	14	deg	Po=50mW
	θ_{\perp}	16	20	25	deg	Po=50mW
Beam Angle	$\Delta \theta_{ }$	-	-	± 2.0	deg	Po=50mW
	$\Delta \theta_{\perp}$	-	-	± 2.5	deg	Po=50mW
Monitor Current	I _m	0.05	0.3	2.5	mA	Po=50mW
Astigmatism	As	-	-	8	μm	
Optical Distance	$\Delta X, \Delta Y, \Delta Z$	-	-	± 60	μm	

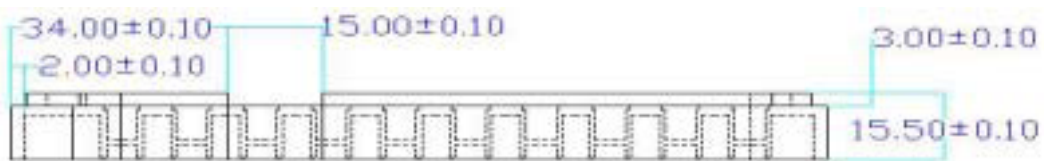
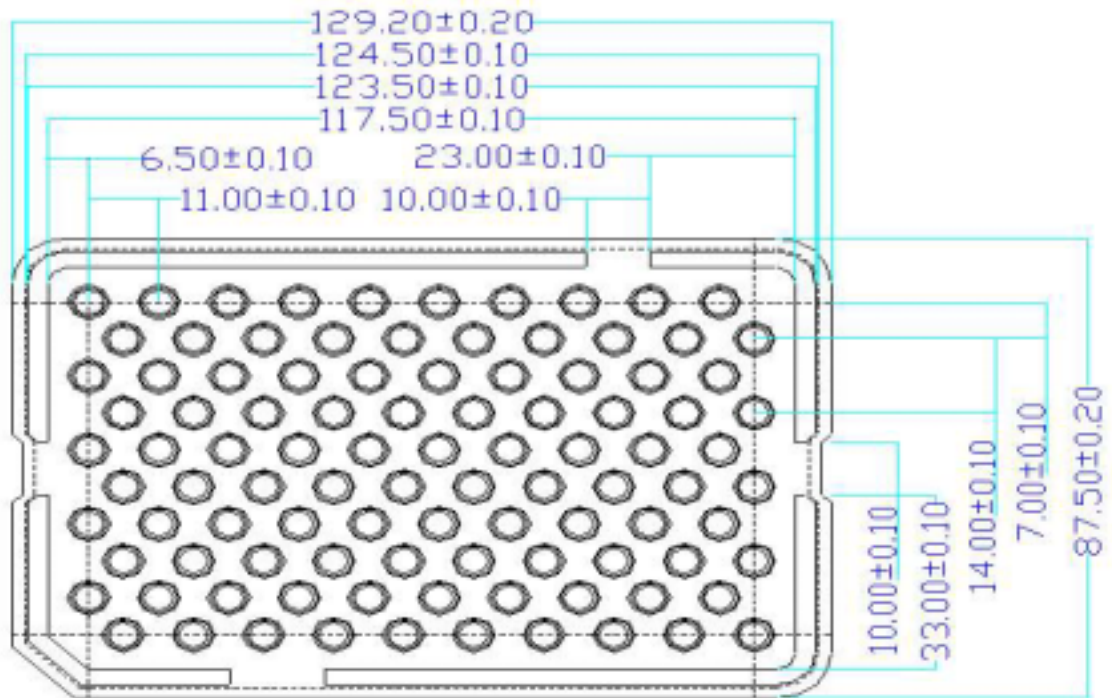
NOTICE : LD68J6S-A/B/C to be operated on APC circuit

The above product specification are subject to change without notice.

◆ PACKAGE DIMENSION



◆ PACKING



International Sales

First Sensor AG
 Peter-Behrens-Str. 15
 12459 Berlin
 Germany
 T +49 30 6399 2399
 F +49 30 6399 23-752
 sales.opto@first-sensor.com
 www.first-sensor.com

US Sales

First Sensor Inc.
 5700 Corsa Avenue #105
 Westlake Village, CA 91362
 USA
 T +1 818 7063 400
 F +1 818 8897 053
 sales.us@first-sensor.com
 www.first-sensor.com

