

LD78E6HG-Q

AlGaAs Laser Diode

Quantum Semiconductor International Co., Ltd.

2008-3-31

◆ OVERVIEW

LD78E6HG-Q is a MOCVD grown 780nm band AlGaAs laser diode with quantum well structure. It's an attractive light source with a typical light output power of 6mW for industrial optical module and sensor application.

◆ APPLICATION

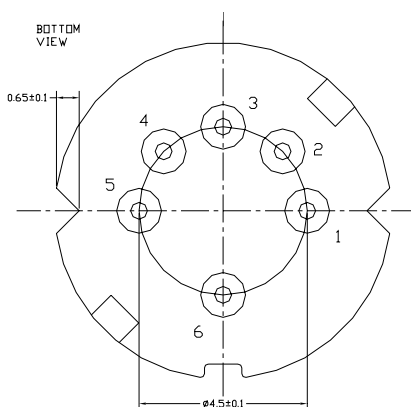
- Laser Printer
- Digital Copiers
- Industrial optical module

◆ FEATURES

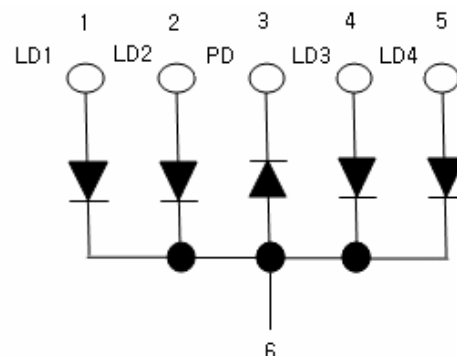
- Visible Light Output : $\lambda_p = 780 \text{ nm}$
- Optical Power Output : 6mW CW
- Number of Beams : 4
- Nominal Beam to Beam Separation : 14um pitch (beam to beam distance)
- Package Type : TO-5 (9.0mm ϕ)
- Built-in Photo Diode for Monitoring Laser Diode

◆ ELECTRICAL CONNECTION

Bottom View



Pin Configuration



◆ ABSOLUTE MAXIMUM RATING at Tc=25°C

Items	Symbol	Values	Unit
Optical Output Power	P	10	mW
Laser Diode Reverse Voltage	V	2	V
Photo Diode Reverse Voltage	V	30	V
Operating Temperature	Topr	-10 ~ +60	°C
Storage Temperature	Tstg	-40 ~ +85	°C

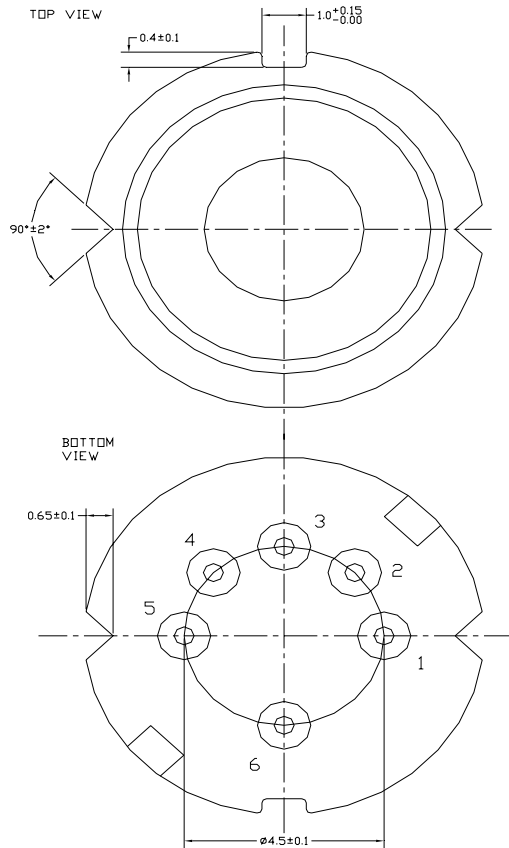
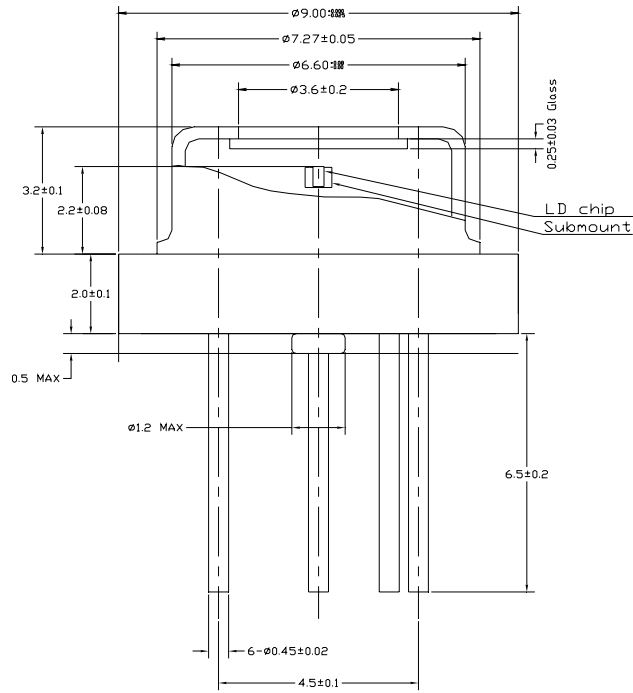
◆ ELECTRICAL and OPTICAL CHARACTERISTICS at Tc=25°C

Items	Symbols	Min.	Typ.	Max.	Diff.	Unit	Condition
Optical Output Power	Po	-	6	-		mW	-
Threshold Current	Ith	8	14	24	2	mA	-
Operating Current	Iop	-	27	38	3	mA	Po=6mW
Differential efficiency	η	0.35	0.5	0.8	0.2	mA	5mW/ I(6mW)-I(1mW)
Operating Voltage	Vop	1.5	1.8	2.5		V	Po=6mW
Lasing Wavelength	λ_p	775	788	800	2	nm	Po=6mW
Beam Divergence	$\theta_{ }$	7	9	12	2		Po=6mW
	θ_{\perp}	25	31	35	4		Po=6mW
Beam Angle	$\Delta\theta_{ }$			± 2		Deg	Po=6mW
	$\Delta\theta_{\perp}$			± 3		Deg	Po=6mW
Monitor Current	I _m	0.25	0.4	0.8	30%	mA	Po=6mW
Center to Center spacing between adjacent beams		13.7	14	14.3		um	SEM measurement
Beam Spacing		41.7	42	42.3		um	LD1 to LD4
Astigmatism	As			10	2	um	Po=6mW

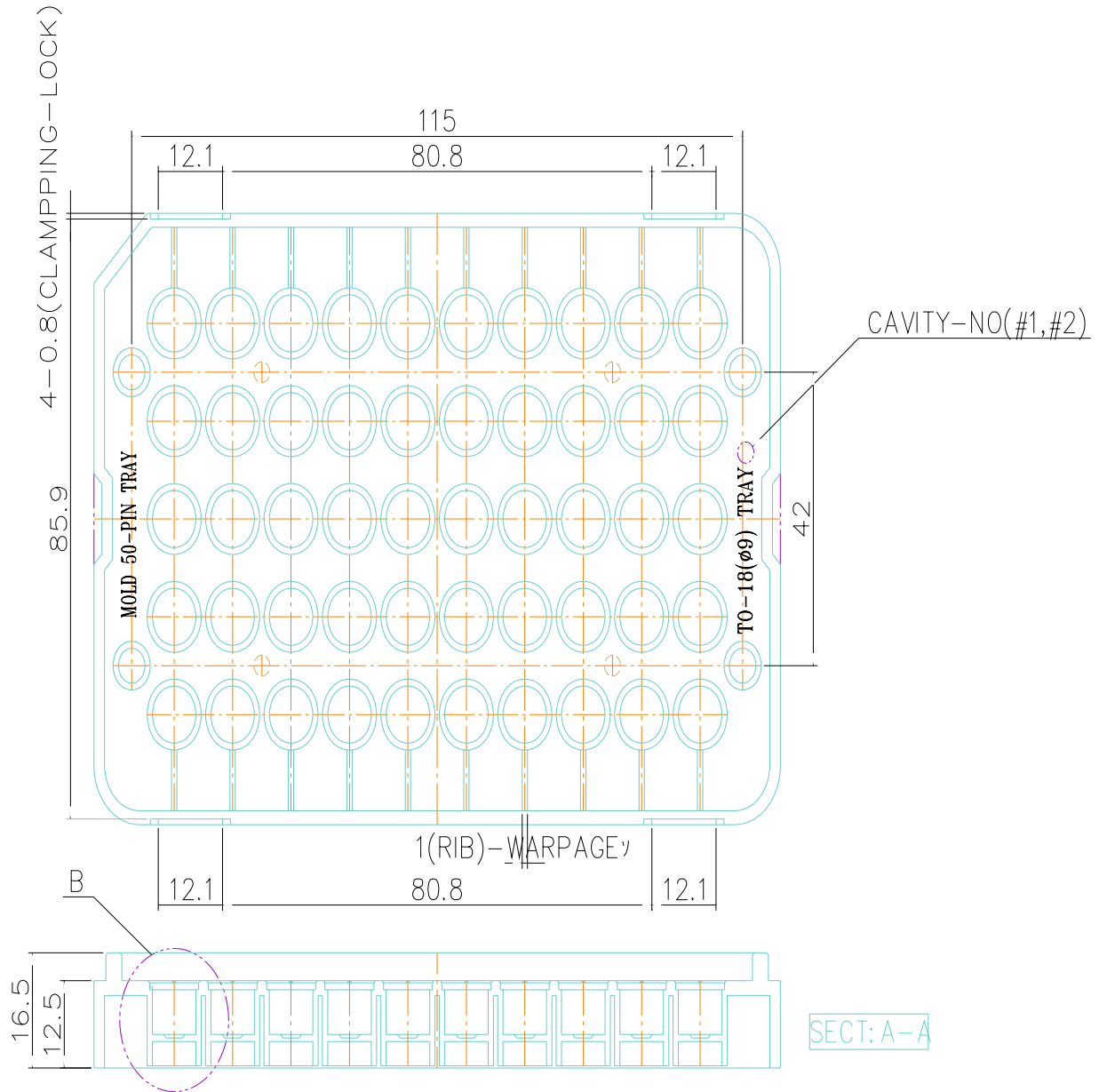
NOTICE : LD78E6HG-Q to be operated on APC circuit.

The above product specifications are subject to change without notice.

◆ PACKAGE DIMENSION



◆ PACKING



European, International Sales:

Silicon Sensor International AG
 Peter-Behrens-Strasse 15
 12459 Berlin
 Germany
 Phone: +49 (0)30-63 99 23 99
 Fax: +49 (0)30-63 99 23 752
 E-Mail: sales@silicon-sensor.com

U.S.A.:

Pacific Silicon Sensor, Inc.
 5700 Corsa Avenue #105
 Westlake Village
 CA 91362 USA
 Phone: +1-818-706-3400
 Fax: +1-818-889-7053
 E-Mail: sales@pacific-sensor.com

