

LD90F7S-A/B/C

InGaAs Laser Diode

Quantum Semiconductor International Co., Ltd.

Jun.2004. Ver. 0

◆ OVERVIEW

LD90F7S-A/B/C is a MOCVD grown 905nm band *InGaAs* laser diode with quantum well structure. It's an attractive light source, with a typical light output power of 10mW for Laser, industrial optical module and sensor application

◆ APPLICATION

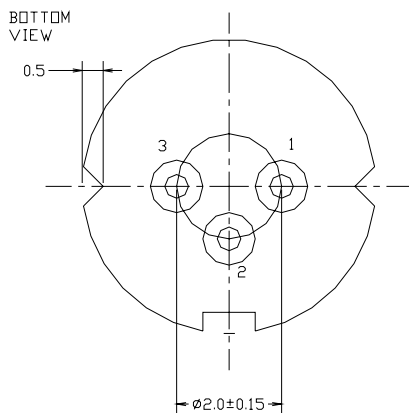
- Sensor

◆ FEATURES

- Visible Light Output : $\lambda_p = 905 \text{ nm}$
- Optical Power Output : 10mW CW
- Package Type : TO-18 (5.6mm ϕ)
- Built-in Photo Diode for Monitoring Laser Diode

◆ ELECTRICAL CONNECTION

Bottom View



Pin Configuration

A	LD cathode, PD anode (Fig. 1)
B	LD , PD anode (Fig. 2)
C	LD anode, PD cathode (Fig. 3)

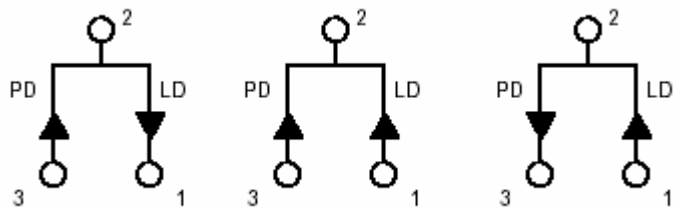


Fig. 1

LD90F7SA

Fig. 2

LD90F7SB

Fig. 3

LD90F7SC

◆ ABSOLUTE MAXIMUM RATING at Tc=25°C

Items	Symbols	Values	Unit
Optical Output Power	P	12	mW
Laser Diode Reverse Voltage	V	2	V
Photo Diode Reverse Voltage	V	30	V
Operating Temperature	Topr	-10 ~ +70	°C
Storage Temperature	Tstg	-40 ~ +85	°C

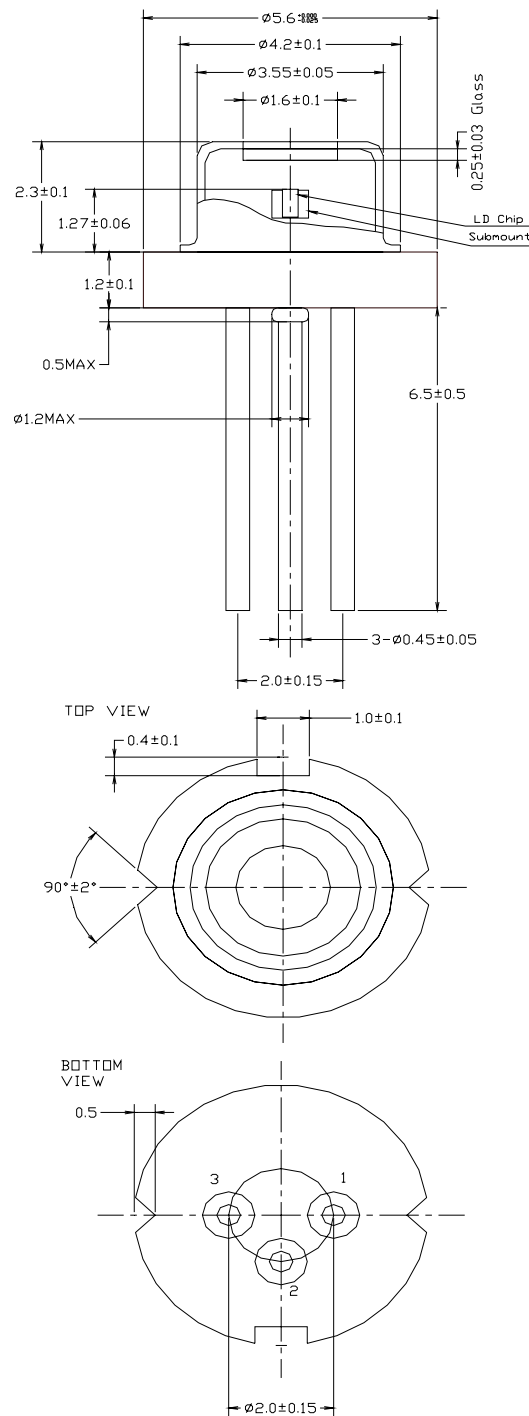
◆ ELECTRICAL and OPTICAL CHARACTERISTICS at Tc=25°C

Items	Symbols	Min.	Typ.	Max.	Unit	Condition
Optical Output Power	Po	-	10	-	mW	-
Threshold Current	Ith	-	12	25	mA	-
Operating Current	Iop	-	35	60	mA	Po=10mW
Operating Voltage	Vop	1.5	1.8	2.3	V	Po=10mW
Slope Efficiency	SE	0.3	0.5	0.7	mW/mA	
Lasing Wavelength	λ_p	885	905	915	nm	Po=10mW
Beam Divergence	$\theta_{ }$	7	10	15	deg	Po=10mW
	θ_{\perp}	28	35	38	deg	Po=10mW
Beam Angle	$\Delta\theta_{ }$	-	-	± 2.5	deg	Po=10mW
	$\Delta\theta_{\perp}$	-	-	± 3.0	deg	Po=10mW
Monitor Current	Im	0.1	0.4	0.6	mA	Po=10mW
Optical Distance	$\Delta X, \Delta Y, \Delta Z$	-	-	± 60	μm	Po=10mW

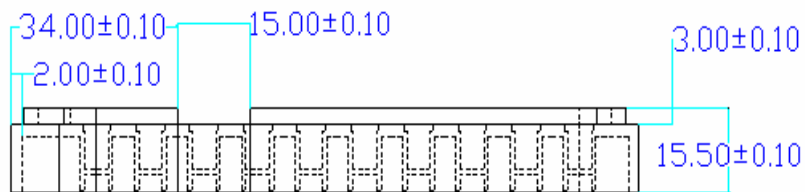
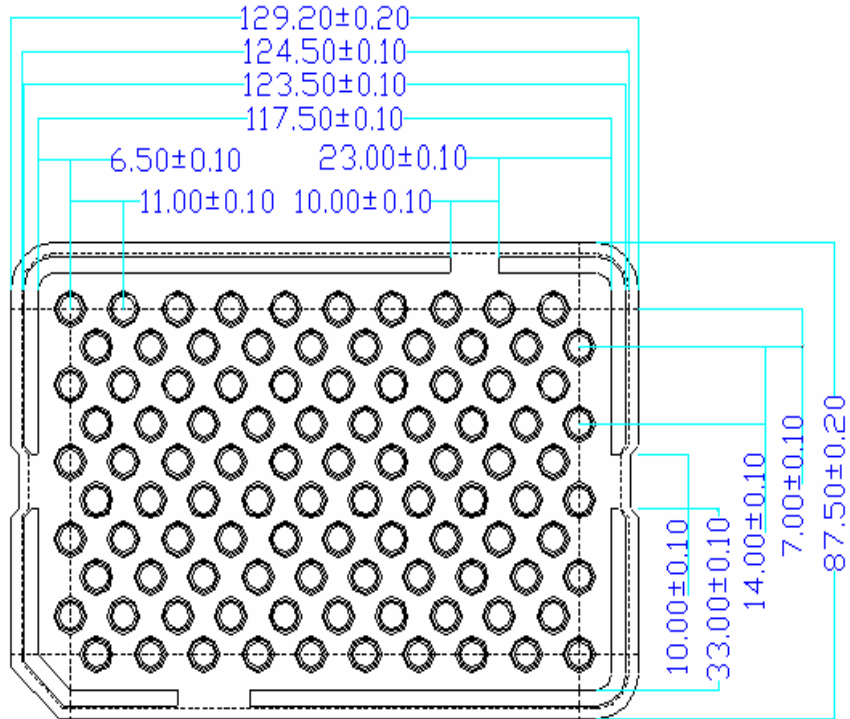
NOTICE : LD90F7S-A/B/C to be operated on APC

The above product specifications are subject to change without notice.

◆ PACKAGE DIMENSION



◆ PACKING



International Sales

First Sensor AG
 Peter-Behrens-Str. 15
 12459 Berlin
 Germany
 T +49 30 6399 2399
 F +49 30 6399 23-752
 sales.opto@first-sensor.com
 www.first-sensor.com

US Sales

First Sensor Inc.
 5700 Corsa Avenue #105
 Westlake Village, CA 91362
 USA
 T +1 818 7063 400
 F +1 818 8897 053
 sales.us@first-sensor.com
 www.first-sensor.com

